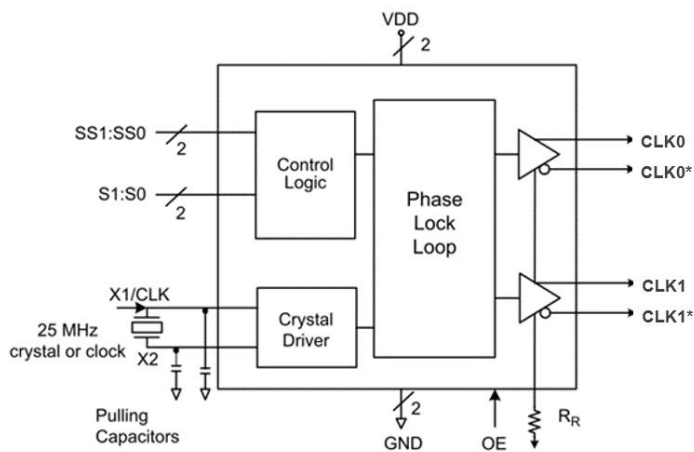




## Features

- PCIe 3.0 compliant
- PCIe 3.0 Phase Jitter -0.45 ps RMS
- LVDS compatible outputs
- Supply voltage of 3.3V  $\pm$ 10%
- 25MHz crystal or clock input frequency
- HCSL outputs, 0.8V Current mode differential pair
- Jitter 35ps cycle-to-cycle (typ)
- Spread of -0.5%, -0.75%, and no spread
- Industrial temperature range
- Spread Bypass option available
- Spread and frequency selection via external pins
- Packaging: (Pb-free and Green)
- 16-pin TSSOP (L16)

## Block Diagram



**Figure 1: Block Diagram**

## Description

The RS2CG5703B is a spread spectrum clock generator compliant to PCI Express 3.0 and Ethernet requirements. The device is used for PC or embedded systems to substantially reduce Electromagnetic Interference (EMI).

The RS2CG5703B provides two differential (HCSL) or LVDS spread spectrum outputs. The RS2CG5703B is configured to select spread and clock selection. Using Phase-Locked Loop (PLL) techniques, the device takes a 25MHz crystal input and produces two pairs of differential outputs (HCSL) at 25MHz, 100MHz, 125MHz and 200MHz clock frequencies. It also provides spread selection of -0.5%, -0.75%, and no spread.

## Ordering Information:

Ordering Code	Package	Description
RS2CG5703BLE	L	TSSOP 16

### Notes:

- [1] E = Pb-free and Green



## Pin Configuration

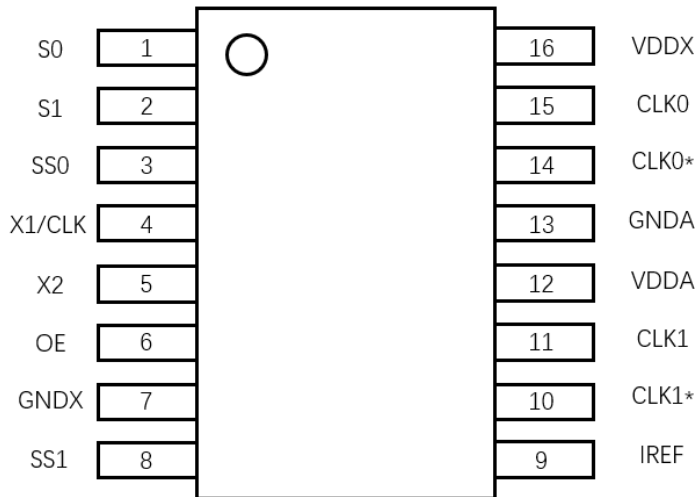


Table 1 Output Selectable

S1	S0	CLK(MHz)
0	0	25
0	1	100
1	0	125
1	1	200

Table 2 Spread Selection

SS1	SS0	Spread
0	0	No Spread
0	1	Down -0.5
1	0	Down -0.75
1	1	No Spread

Pin No.	Name	Type	Description
1	S0	Input	Select pin 0 (Internal pull-up resistor). See Table 1.
2	S1	Input	Select pin 1 (Internal pull-up resistor). See Table 1.
3	SS0	Input	Spread Select pin 0 (Internal pull-up resistor). See Table 2.
4	X1/CLK	Input	Crystal or clock input. Connect to a 25MHz crystal or single ended clock.
5	X2	Output	Crystal connection. Leave unconnected for clock input.
6	OE	Input	Output enable. Internal pull-up resistor.
7	GNDX	Power	Crystal ground pin.
8	SS1	Input	Spread Select pin 1 (Internal pull-up resistor). See Table 2.
9	IREF	Output	Precision resistor attached to this pin is connected to the internal current reference.
10	CLK1*	Output	HCSL compliment clock output
11	CLK1	Output	HCSL clock output
12	VDDA	Power	Connect to a +3.3V source.
13	GNDA	Power	Output and analog circuit ground.
14	CLK0*	Output	HCSL compliment clock output
15	CLK0	Output	HCSL clock output
16	VDDX	Power	Connect to a +3.3V source.



## Absolute Maximum Ratings

Symbol	Parameter	MIN	TYP	MAX	Unit
T <sub>store</sub>	Storage Temperature	-65	-	+150	°C
V <sub>DD</sub>	DC Supply Voltage port B	-0.5	-	5.5	V
V <sub>IO</sub>	Input / Output Voltage	-0.5	-	V <sub>DD</sub> +0.5	V
ESD	ESD HBM protection (input)	2000			V

### Notes:

Stresses greater than those listed under MAXIMUM RATINGS may cause permanent damage to the device. This is a stress rating only and functional operation of the device at these or any other conditions above those indicated in the operational sections of this specification is not implied. Exposure to absolute maximum rating conditions for extended periods may affect reliability.

## Recommended operation conditions

Symbol	Parameter	MIN	TYP	MAX	Unit
V <sub>DD</sub>	V <sub>CCA</sub> Positive DC Supply Voltage	3.0	-	3.6	V
V <sub>I</sub>	Enable Control Pin Voltage	-0.3	-	3.6	V
T <sub>A</sub>	Operating Temperature Range	-40	-	+85	°C



## DC Electrical Characteristics

Unless otherwise specified,  $-40^{\circ}\text{C} \leq T_A \leq 85^{\circ}\text{C}$ ,  $3.0\text{V} \leq V_{DD} \leq 3.6\text{V}$

Symbol	Parameter	Conditions		MIN	TYP	MAX	Unit
VDD	Supply Voltage			3.0	3.3	3.6	V
VIH	Input High Voltage <sup>(1)</sup>	OE, S0, S1, SS0, SS1		0.7*VDD		VDD +0.3	V
VIL	Input Low Voltage <sup>(1)</sup>	OE, S0, S1, SS0, SS1		GND -0.3		0.3*VDD	V
IIL	Input Leakage Current	$0 \leq V_{in} \leq V_{DD}$	Without input pull-up and pull-downs	-5		5	$\mu\text{A}$
IDD	Operating Supply Current	$R_L = 50\Omega, C_L = 2\text{pF}$				120	mA
IDDOE		OE = LOW				60	mA
CIN	Input Capacitance					7	pF
COUT	Output Capacitance					6	pF
LPIN	Pin Inductance					5	nH
ROUT	Output Resistance	CLK Outputs		3.0			k $\Omega$

**Note:**

1.  $R_L = 50\ \text{ohm}$  with  $C_L = 2\ \text{pF}$
2. Single-ended waveform
3. Differential waveform
4. Measured at the crossing point
5. CLK pins are tri-stated when OE is LOW



## AC Characteristics

( $V_{DD} = 3.3V \pm 10\%$ ,  $T_A = -40^\circ C$  to  $+85^\circ C$ )

Symbol	Parameter	Conditions	MIN	TYP	MAX	Unit
FIN	Input Frequency			25		MHz
VOUT	Output Frequency		25		200	MHz
VOH	Output High Voltage (1,2)	100 MHz HCSL output @ $V_{DD} = 3.3V$	660	800	900	mV
VOL	Output Low Voltage(1,2)		-150	0	150	mV
VCPA	Crossing Point Voltage(1,2)	Absolute	250	350	550	mV
VCN	Crossing Point Voltage(1,2,4)	Variation over all edges			140	mV
JCC	Jitter, Cycle-to-Cycle(1,3)			35	60	ps
$J_{RMS2.0}$	PCIe 2.0 RMS Jitter	PCIe 2.0 Test Method @ 100MHz Output			3.1	ps
$J_{RMS3.0}$	PCIe 3.0 RMS Jitter	PLL L-BW @ 2M & 5M 1st H3		1.75	3	ps
		PLL L-BW @ 2M & 4M 1st H3		2.18	3	ps
		PLL H-BW @ 2M & 5M 1st H3		0.45	1	ps
		PLL H-BW @ 2M & 4M 1st H3		0.45	1	ps
MF	Modulation Frequency	Spread Spectrum	30	31.5	33	kHz
tOR	Rise Time(1,2)	From 0.175V to 0.525V	150	332	700	ps
tOF	Fall Time(1,2)	From 0.525V to 0.175V	150	344	700	ps
TSKEW	Skew between outputs	At Crossing Point Voltage			50	ps
TDUTY-CYCLE	Duty Cycle(1,3)		45		55	%
TOE	Output Enable Time(5)	All outputs			10	$\mu s$
TOT	Output Disable Time(5)	All outputs			10	$\mu s$
tSTABLE	From power-up to $V_{DD} = 3.3V$	From Power-up $V_{DD} = 3.3V$		3.0		ms
tSPREAD	Setting period after spread change	Setting period after spread change		3.0		ms

### Note:

1.  $R_L = 50 \text{ ohm}$  with  $C_L = 2 \text{ pF}$
2. Single-ended waveform
3. Differential waveform
4. Measured at the crossing point
5. CLK pins are tri-stated when OE is LOW



## Application Information

### Decoupling Capacitors

Decoupling capacitors of 0.01µF should be connected between each VDD pin and the ground plane and placed as close to the VDD pin as possible.

### Crystal

Use a 25MHz fundamental mode parallel resonant crystal with less than 300PPM of error across temperature.

### Crystal Capacitors

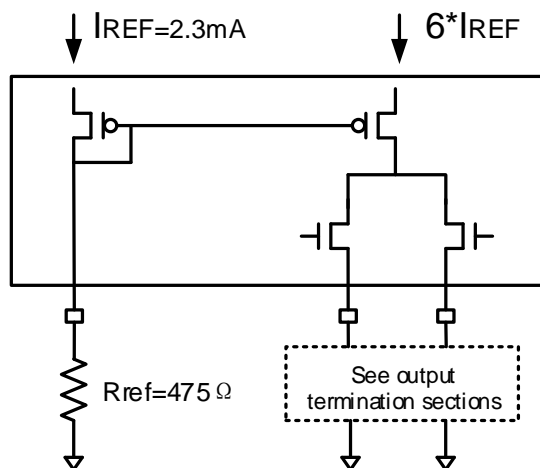
$C_L = \text{Crystals' load capacitance in pF}$  Crystal Capacitors (pF) =  $(C_L - 8) * 2$

For example, for a crystal with 16pF load caps, the external effective crystal cap would be 16 pF.  $(16-8)*2=16$ .

### Current Source (IREF) Reference Resistor – Rref

If board target trace impedance is 50Ω,

then  $R_{ref} = 475\Omega$  providing an IREF of 2.32 mA. The output current (IOH) is  $6 * I_{REF}$ .



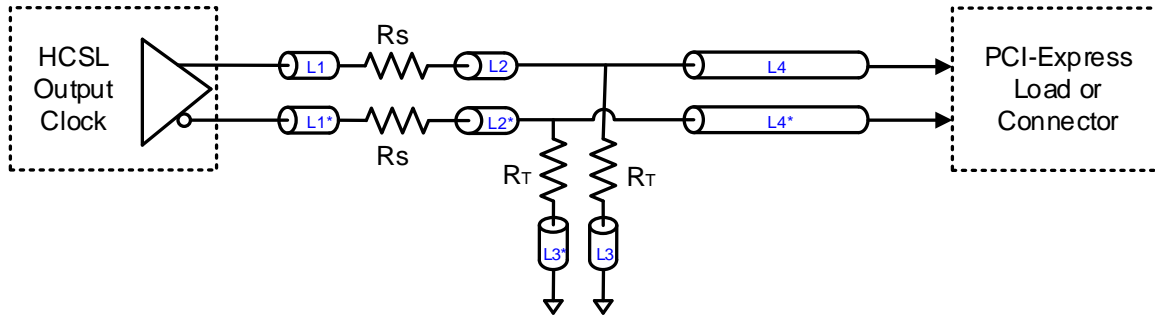
### Output Termination

The PCI Express differential clock outputs of the RS2CG5703B are open-source drivers and require an external series resistor and a resistor to ground. These resistor values and their allowable locations are shown in detail in the PCI Express Layout Guidelines section.

The RS2CG5703B can be configured for LVDS compatible voltage levels. See the LVDS Compatible Layout Guidelines section.



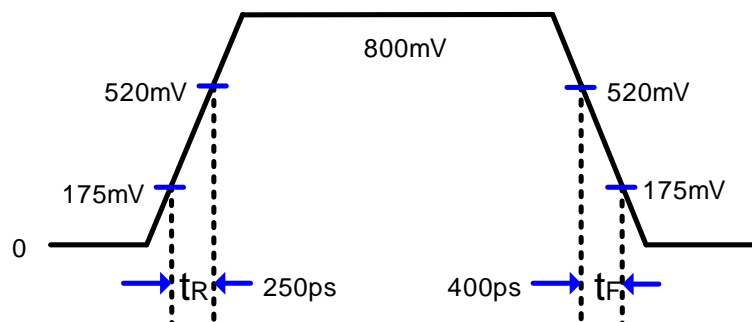
## PCIe Device Routing (HCSL)



### PCI Express Layout Guidelines

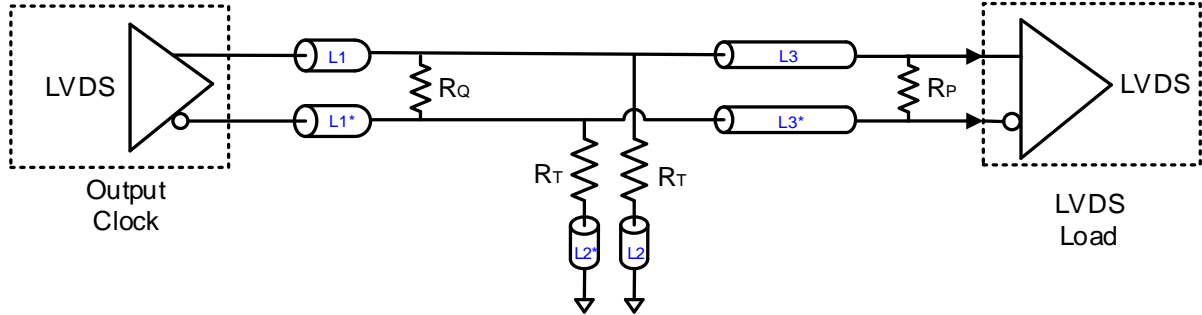
Common Recommendations for Differential Routing	Dimension or Value	Unit
L1 length, route as non-coupled 50Ω trace.	0.5 max	inch
L2 length, route as non-coupled 50Ω trace.	0.2 max	inch
L3 length, route as non-coupled 50Ω trace.	0.2 max	inch
$R_S$	33	Ω
$R_T$	49.9	Ω
Differential Routing on a Single PCB	Dimension or Value	Unit
L4 length, route as coupled microstrip 100Ω differential trace.	2 min to 16 max	inch
L4 length, route as coupled strip-line 100Ω differential trace.	1.8 min to 14.4 max	inch
Differential Routing to a PCI Express connector	Dimension or Value	Unit
L4 length, route as coupled microstrip 100Ω differential trace.	0.25 min to 14 max	inch
L4 length, route as coupled strip-line 100Ω differential trace.	0.225 min to 12.6 max	inch

### Typical HCSL Waveform





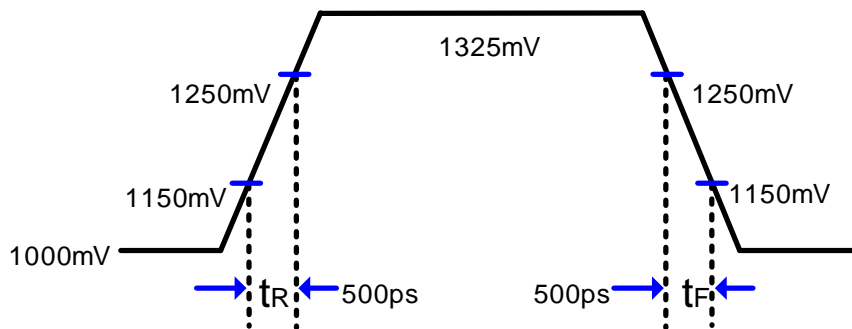
## LVDS Device Routing



### LVDS Device Routing Guidelines

LVDS Recommendations for Differential Routing	Dimension or Value	Unit
L1 length, route as non-coupled 50Ω trace.	0.5 max	inch
L2 length, route as non-coupled 50Ω trace.	0.2 max	inch
RP	100	Ω
RQ	100	Ω
RT	150	Ω
L3 length, route as 100Ω differential trace(strip-line)	14 max	inch
L3 length, route as 100Ω differential trace.(Micro Strip-line)	12 max	inch

### Typical LVDS Waveform

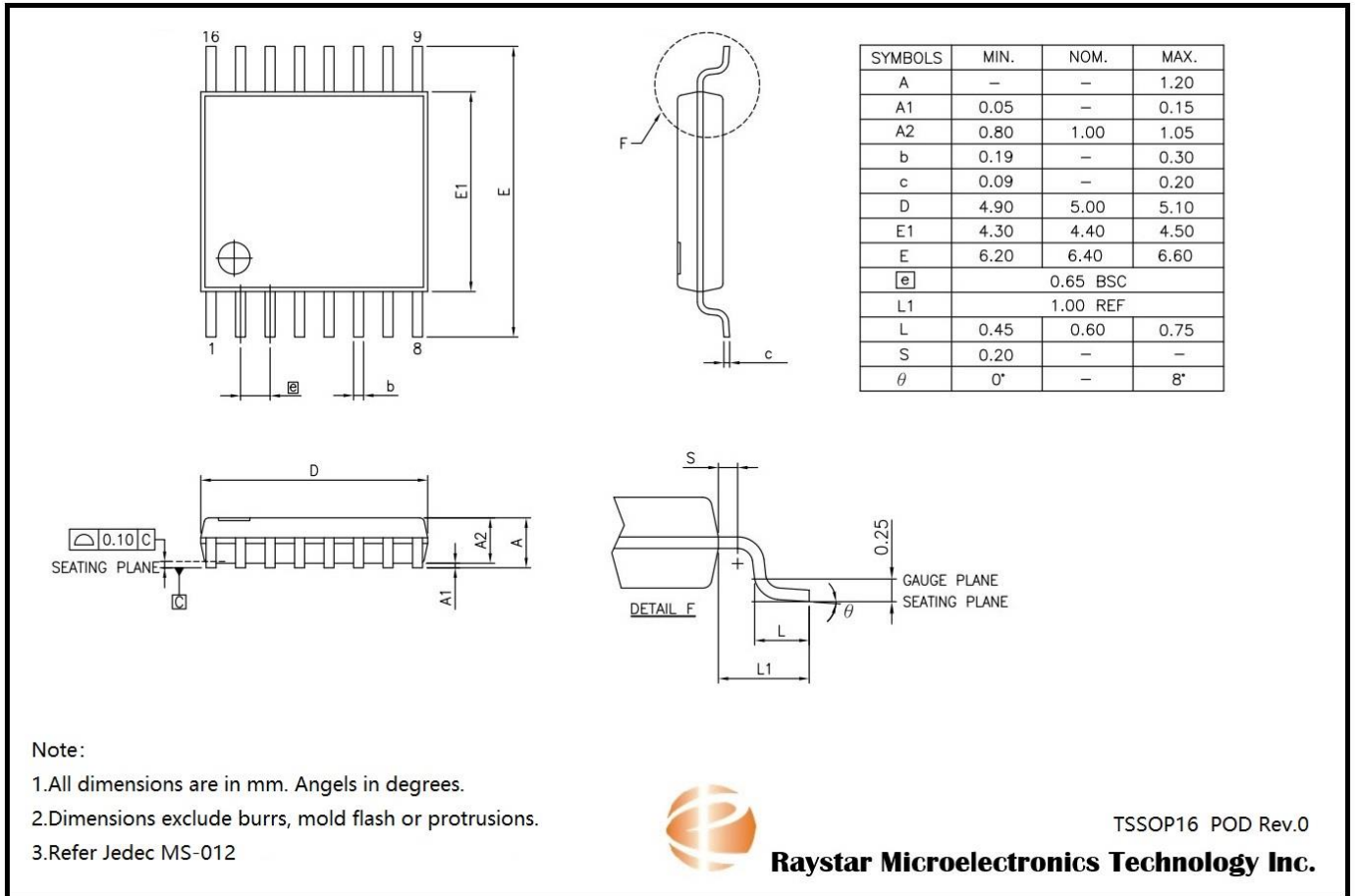






## Package Information

### TSSOP16 Package





## Revision History

Revision	Description	Date
V1.0	Add POD	2023/04/18
V1.1	Official release	2023/6/19
V1.2	Modify Tr/Tf Min value from 175ps to 150ps	2023/7/14